

# Track and Slide System

The high-performance, low-friction mainsail luff track and slide assembly that's built to handle the increased loads and demands of today's full-batten mainsails.



**TIDEMARINE**

**PRODUCT CATALOG 2014**

# TIDESMARINE

*Specialists in innovative, high-quality marine systems for propeller shafts,  
rudder assemblies and mainsail handling.*

## **Mission Statement**

Tides Marine is committed to designing and manufacturing marine system components which improve vessel performance and reliability, solve unique marine system issues, reduce the need for scheduled maintenance and provide worry-free, long-term boating enjoyment.

We have representatives worldwide and will be more than happy to provide our agents details upon request.

Please contact us on the details below:

Tides Marine International-UK  
Unit C5 Birch Copse Technology Road, Cabot Lane  
Poole, Dorset  
England BH17 7FH

Phone +44 1202 656773

Fax +44 1202 697503

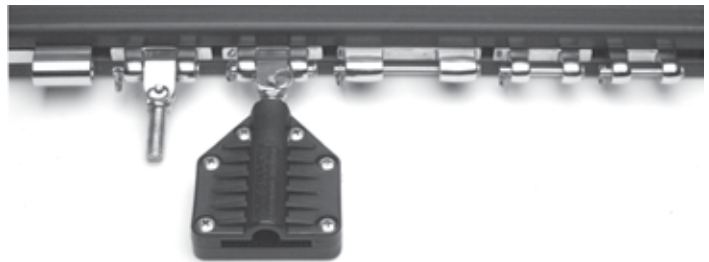
Email [info@tidesmarine.co.uk](mailto:info@tidesmarine.co.uk)

[www.tidesmarine.co.uk](http://www.tidesmarine.co.uk)

# Track and Slide System

## TABLE OF CONTENTS

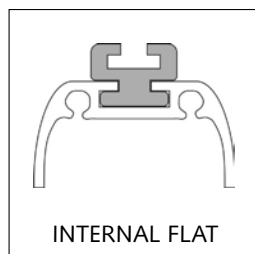
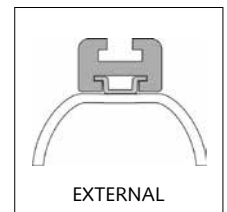
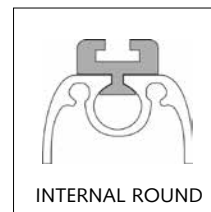
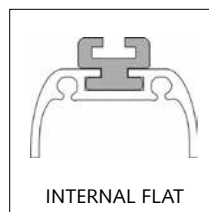
**Product Overview .....p. 3**



**Before Ordering -  
Measuring Your Mast .....p. 4**

Profile Variations .....p. 4

Measurement Disks .....p. 4



**Internal Luff Grooves - FLAT .....p. 5**

Luff Groove Width.....p. 5

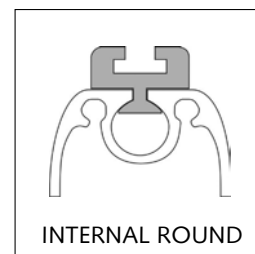
Luff Groove Lip Thickness.....p. 5

Sailtrack Shapes - Available Sizes .....p. 5

Mast Gate - Size & Location .....p. 6

Overall Track Length.....p. 7

Internal Width of Existing Luff Groove.... p. 8



**Internal Luff Grooves - ROUND .....p. 9**

Luff Groove Width.....p. 9

Luff Groove Lip Thickness.....p. 9

Sailtrack Shapes - Available Sizes .....p. 9

Mast Gate - Size & Location .....p. 10

Overall Track Length.....p. 11

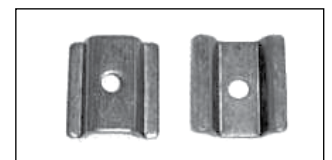
Internal Width of Existing Luff Groove.... p. 12

# Track and Slide System

## TABLE OF CONTENTS

### External Track and CMPE Track .....p. 13

- Before Ordering -  
Measuring Your Mast .....p. 13
- External Track Width.....p. 13
- External Track Length .....p. 13
- CMPE Track Length .....p. 13



### Before Ordering - Sail Hardware Selection .....p.14

- Batten Receptacles and Slides ..... pp. 14-19
- Alternate Headboard Slides..... pp. 20-23



### Frequently Asked Questions

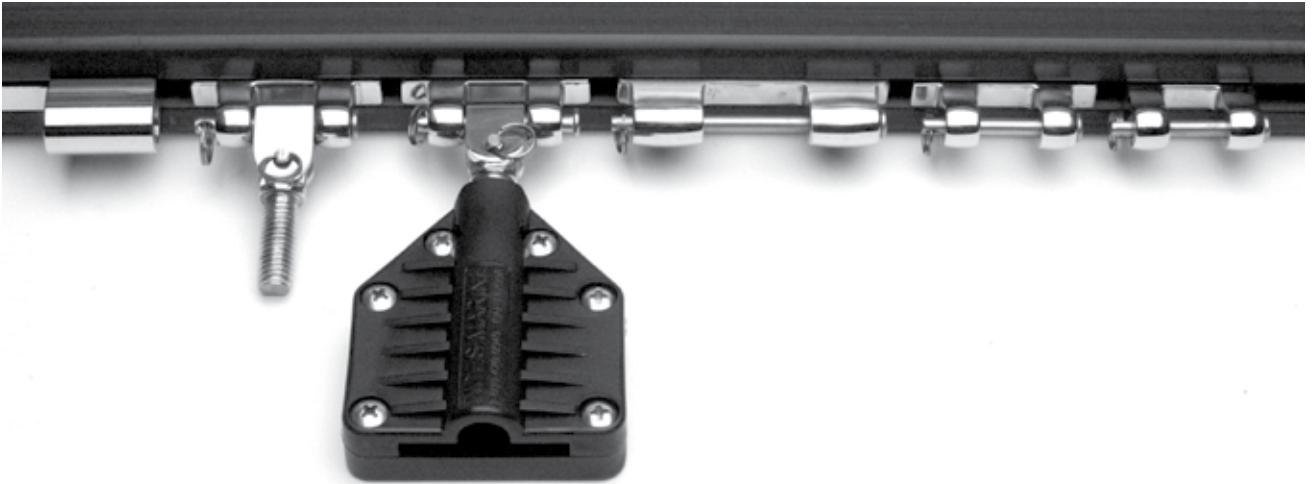
- What is the track flap at the bottom of the Tides Track? .....p. 24
- What if the track is too long?..... pp. 25-26
- What if the track is too short?.....p. 27
- What if the track doesn't fit my luff groove? .....p. 28
- What are the sail area guidelines?.....p. 29

### Order Forms

- Internal Flat and Round  
Luff Groove Order Form .....p. 31
- External Track Order Form .....p. 33
- CMPE Track Order Form.....p. 35

# Track and Slide System

## PRODUCT OVERVIEW



The Tides Marine Track and Slide System is a high-performance, low-friction mainsail handling system built to carry the increased loads and demands of today's full-batten mainsails. When installed, the mainsail will rise easily and drop the instant the halyard is released.

The system consists of a one-piece UHMW track and an "owner-defined" selection of matching slides and batten receptacles designed for smooth, long-lasting operation.

The system is priced per foot of track and includes the slides & batten receptacles and is shipped ready to install.

The system offers minimal stack height, less weight aloft and low-friction performance rivaling systems which cost more than twice as much. The track can be installed without going aloft and, in most cases, no holes need to be drilled in the mast.

### Track

The UHMW track is machined to fit more than 100 different mast luff groove shapes (internal flat / internal round) as well as most common external track shapes. The track is UV stable, unaffected by salt water and available in seamless lengths to 65'.

### Slides

The 316 stainless slides are hand-polished to a smooth, low-friction finish. They are available in several sizes (see pages 14 and 15 for details).

### Batten Receptacles

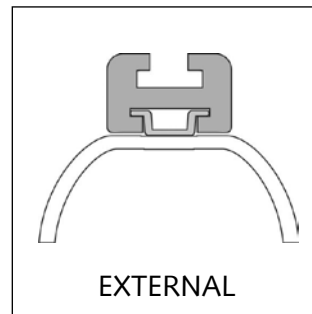
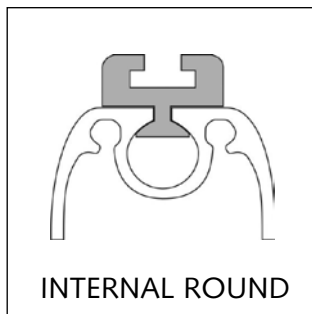
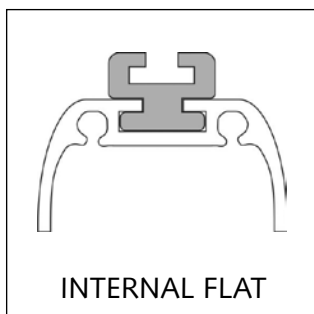
The Tides batten receptacles are offered in two sizes which accept both flat and round battens. They are connected to the 316-stainless slides via a 10mm stud and rotate freely when raising or lowering the main. The Tides system will also work with any competitive batten receptacles using the same 10mm stud configuration.

# Track and Slide System

## BEFORE ORDERING - MEASURING YOUR MAST

### PROFILE VARIATIONS

Before placing your order, you will have to determine the size and shape of your mast's luff groove. If you have an external track on your boat now, Tides will need the width of this external track.



### MEASUREMENT DISKS

To help measure the luff groove on your mast, Tides will provide you with a set of 5 blue measurement disks (pictured below).



#### Lettered Disks

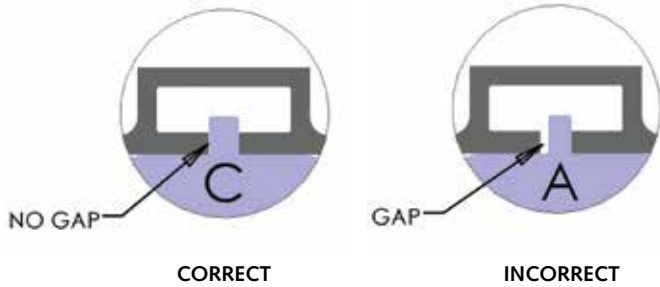
are used to measure the luff groove width on both Internal - Flat and Internal - Round spars.

#### Numbered Disks

from 1 through 8 are used to measure the luff groove's lip thickness on Internal - Flat luff grooves. Information about flat internal luff grooves can be found on pages 5 through 8.

The **Numbered Disk 11 through 17** is used to measure the luff groove's lip thickness on Internal - Round luff grooves. Information about round internal luff grooves can be found on pages 9 through 12.

**Luff Groove Width**



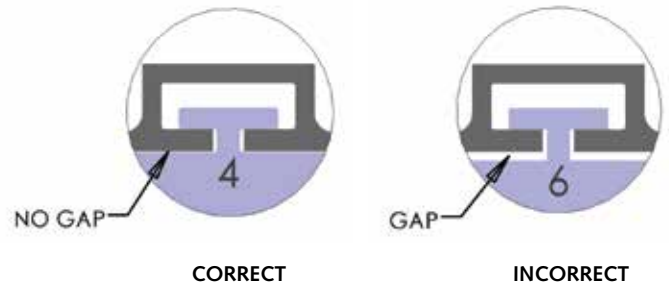
**STEP 1.**

Using the lettered disks, determine the width of the luff groove. Simply insert the lettered studs into the luff groove anywhere along the mast. Select the stud which fits in the luff groove with the least amount of play side-to-side without jamming or sticking.

Once you have found the stud size that fits snugly, move the stud up the mast (within the luff groove) as far as you can reach to ensure that the luff groove width is uniform.

Enter this letter on the Internal Luff Groove Order Form - Line A.

**Luff Groove Lip Thickness**



**STEP 2.**

Next, use the numbered disks (1 through 8) to determine the lip thickness of the luff groove. Select the stud which allows the least amount of play fore-and-aft. You can slide these numbered studs through the mast gate. Or, you can turn each stud 90°, insert it into the luff groove above or below the mast gate and turn the stud until you find the one that fits snugly.

Enter this number on the Internal Luff Groove Order Form - Line B.

**INTERNAL LUFF GROOVE - FLAT - Available Sizes**

**STEP 3.**

When you have measured your luff groove width and lip thickness, use the table below to determine if Tides can cut a track that matches your measurements. Each box with a "✓" indicates that Tides can produce track to fit your mast.

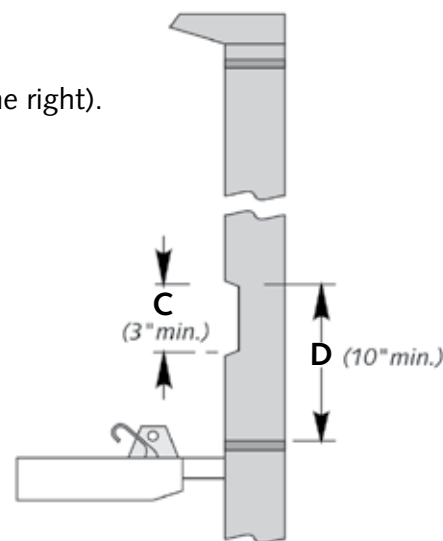
Lip Thickness	Slot Widths																	
	A	B	C	D	E	F	G	H	I	J	K	L	M	N	O	P	Q	R
1										✓	✓	✓						
2							✓	✓		✓	✓	✓						
3	✓	✓	✓	✓	✓	✓	✓	✓	✓	✓	✓	✓	✓	✓	✓	✓	✓	✓
4	✓	✓	✓	✓	✓	✓	✓	✓	✓	✓	✓	✓	✓	✓	✓	✓	✓	✓
5	✓	✓	✓	✓	✓	✓	✓	✓	✓	✓	✓	✓	✓	✓	✓	✓	✓	✓
6	✓	✓	✓	✓	✓	✓		✓	✓	✓	✓	✓	✓	✓	✓	✓	✓	✓
7	✓	✓	✓	✓	✓	✓		✓	✓	✓		✓	✓	✓	✓	✓	✓	✓
8	✓	✓	✓	✓	✓	✓		✓	✓	✓		✓	✓	✓	✓	✓	✓	✓

## MAST GATE – Size and Location

Measure the length of your existing mast gate (C in the diagram to the right).

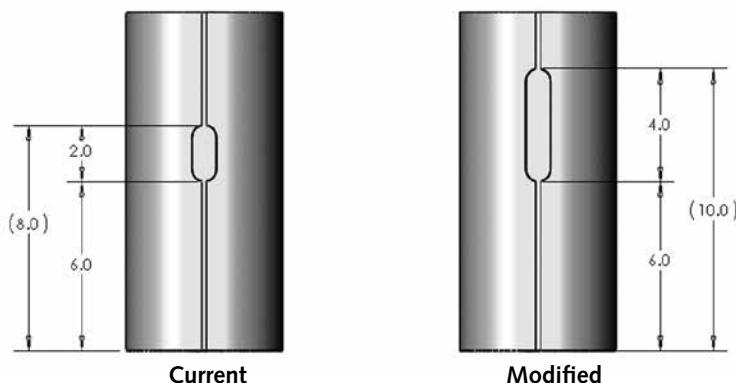
In order to install the Tides Track, the mast gate must be at least 3" long and open on both sides of the centerline of the luff groove.

The distance from the top of the mast gate to the gooseneck should be at least 10" long (D in the diagram to the right). If the distance is less you might not be able to feed the Tides Track past the gooseneck and into the luff groove.



**! NOTE:**

Both of these measurements are critical to the installation of the Tides Track.



If your current mast gate configuration does not meet the above parameters, you will have to modify your existing mast gate accordingly.

In the above example, the existing mast gate is 2" long (too short) and the distance from the top of the mast gate to the gooseneck is 6" (also too short).

Simply enlarge the mast gate using a Dremel tool or grinder, moving up the mast until the top of the mast gate is 10" above the gooseneck.

Your mast gate is now 4" long.

**Record this measurement on the Internal Luff Groove Order Form - Line C.**

The distance from the top of the mast gate to the gooseneck is now 10" long.

**Record this measurement on the Internal Luff Groove Order Form - Line D.**



## OVERALL TRACK LENGTH

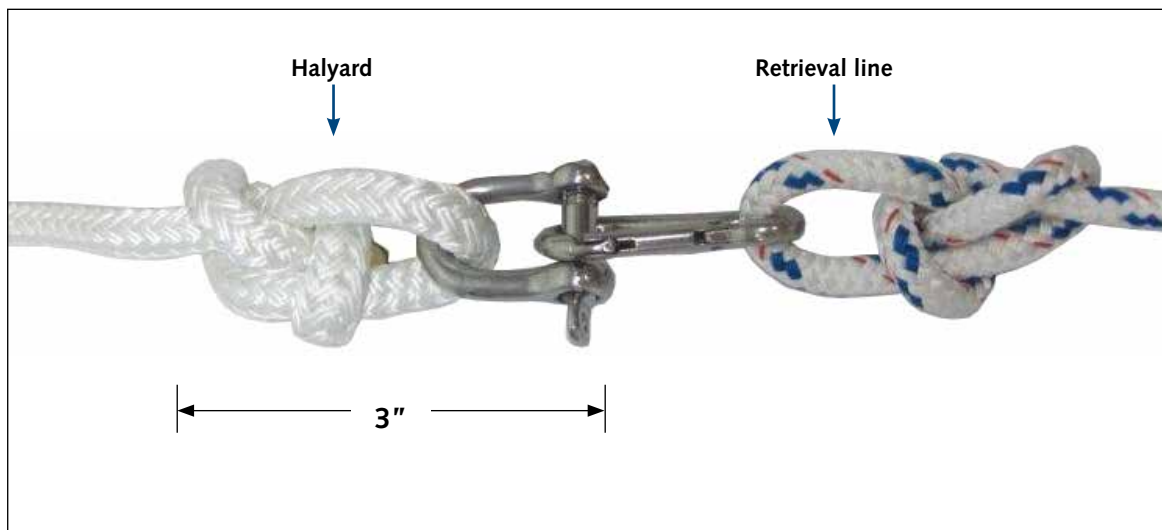
Next, measure the overall length of Tides Track you want to install on your vessel. The track should start approximately 2" below the halyard sheave and stop 1" – 2" above the gooseneck. Your measurement will be more accurate if you first identify the distance from the top of your halyard thimble to the shackle pin – the halyard hardware (see photo below). Then, connect the end of a tape measure to the pin in your halyard shackle along with a retrieval line.

Hoist the halyard as far as it will go and measure to the point on the mast where you want the Tides Track to end. Adjust this measurement to account for the length of your halyard hardware.

In this example, the halyard hardware is 3" long. If you add 1" to the overall measurement on your tape, the track should stop 2" below the masthead sheave.

### ! NOTE:

It is a good idea to attach a small diameter retrieval line to the end of the halyard to aid in retrieving the tape from the masthead.



Record this measurement on the Internal Luff Groove Order Form - Line E.

**INTERNAL WIDTH OF EXISTING LUFF GROOVE**

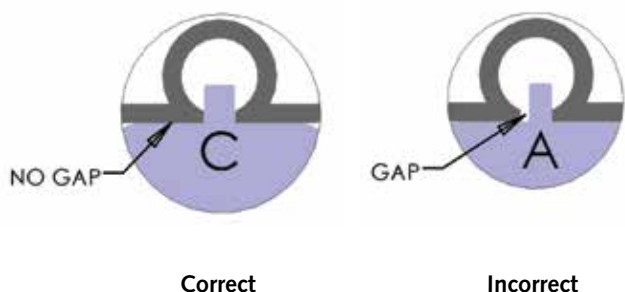
Tides prefers to maximize the width of the track shape that enters the luff groove, whether the luff groove has an internal flat shape or internal round shape. If Tides can maximize the amount of UHMW material that goes into the luff groove, the track will perform better when the slides/sail begin to load the track assembly during vessel operation.

Measure the internal width of your luff groove (flat or round) **at the mast gate** using a tape measure / caliper / etc. In most cases, you can get a fairly accurate measurement of this space by simply measuring the width of the mast gate. This should be satisfactory. See photos below.

Record this measurement on the Internal Luff Groove Order Form - Line F.



**Luff Groove Width**



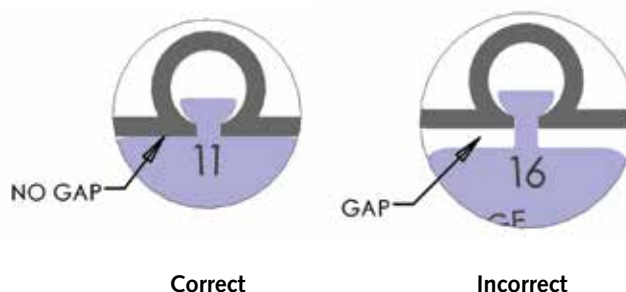
**STEP 1.**

Using the lettered disks, determine the width of your luff groove. Simply insert the numbered studs into the luff groove anywhere along the mast. Select the stud which fits in the luff groove with the least amount of play side-to-side.

Once you have found the stud size that fits snugly, move the stud up the mast (within the luff groove) as far as you can reach to ensure that the luff groove width is uniform.

Enter this letter on the Internal Luff Groove Order Form - Line A.

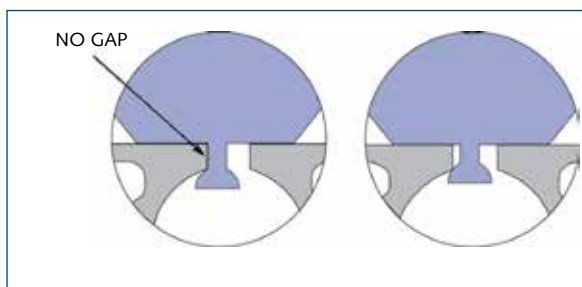
**Luff Groove Lip Thickness**



**STEP 2.**

Next, use the numbered disks (11 through 17) to determine the lip thickness of the luff groove. Select the stud which allows the least amount of play fore-and-aft. You can slide these numbered studs through the mast gate. Or, you can turn each stud 90°, insert it into the luff groove above or below the mast gate and turn the stud until you find the one that fits snugly.

Enter this number on the Internal Luff Groove Order Form - Line B.



**CAUTION:** When measuring the lip thickness of luff grooves with an internal round shape, be sure the numbered stud is in contact with the luff groove lip as shown left. There should be no gaps between the stud and the lip.

**INTERNAL LUFF GROOVE - ROUND - Available Sizes**

**STEP 3.**

When you have measured your luff groove width and lip thickness, use the table to determine if Tides can cut a track that matches your measurements. Each box with a "✓" indicates that Tides can produce track to fit your mast.

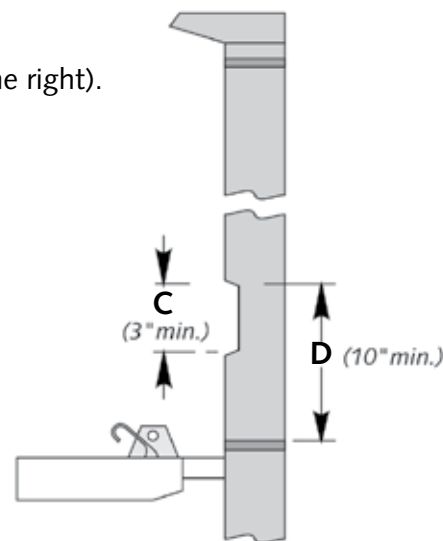
Lip Thickness	Slot Widths					
	A	B	C	D	E	F
11	✓	✓	✓	✓	✓	✓
12	✓	✓	✓	✓	✓	✓
13	✓	✓	✓	✓	✓	✓
14	✓	✓	✓	✓	✓	✓
15	✓	✓	✓	✓	✓	✓
16	✓	✓	✓	✓	✓	✓
17	✓	✓	✓	✓	✓	✓

## MAST GATE – Size and Location

Measure the length of your existing mast gate (C in the diagram to the right).

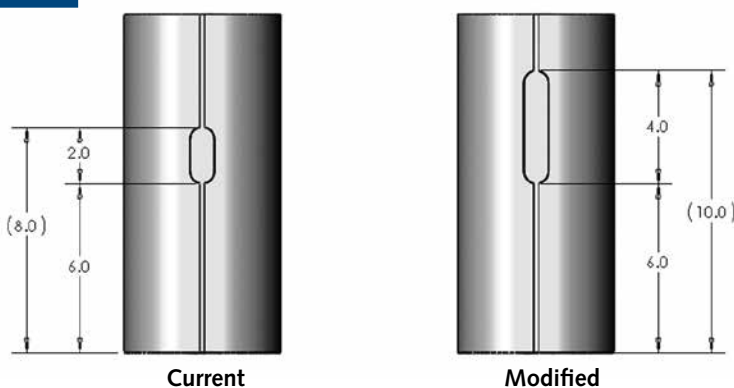
In order to install the Tides Track, the mast gate must be at least 3" long and open on both sides of the centerline of the luff groove.

The distance from the top of the mast gate to the gooseneck should be at least 10" long (D in the diagram to the right). If the distance is less you might not be able to feed the Tides Track past the gooseneck and into the luff groove.



**NOTE:**

Both of these measurements are critical to the installation of the Tides Track.



If your current mast gate configuration does not meet the above parameters, you will have to modify your existing mast gate accordingly.

In the above example, the existing mast gate is 2" long (too short) and the distance from the top of the mast gate to the gooseneck is 6" (also too short).

Simply enlarge the mast gate using a Dremel tool or grinder, moving up the mast until the top of the mast gate is 10" above the gooseneck.

Your mast gate is now 4" long.

**Record this measurement on the Internal Luff Groove Order Form - Line C.**

The distance from the top of the mast gate to the gooseneck is now 10" long.

**Record this measurement on the Internal Luff Groove Order Form - Line D.**

## OVERALL TRACK LENGTH

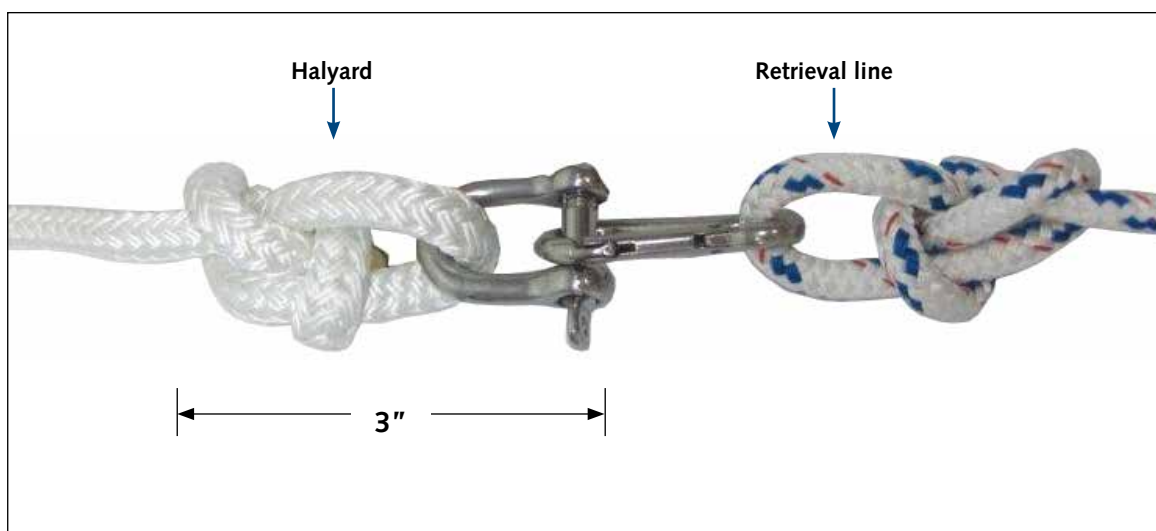
Next, measure the overall length of Tides Track you want to install on your vessel. The track should start approximately 2" below the halyard sheave and stop 1" – 2" above the gooseneck. Your measurement will be more accurate if you first identify the distance from the top of your halyard thimble to the shackle pin – the halyard hardware (see photo below). Then, connect the end of a tape measure to the pin in your halyard shackle along with a retrieval line.

Hoist the halyard as far as it will go and measure to the point on the mast where you want the Tides Track to end. Adjust this measurement to account for the length of your halyard hardware.

In this example, the halyard hardware is 3" long. If you add 1" to the overall measurement on your tape, the track should stop 2" below the masthead sheave.

### ! NOTE:

It is a good idea to attach a small diameter retrieval line to the end of the halyard to aid in retrieving the tape from the masthead.



Record this measurement on the Internal Luff Groove Order Form - Line E.

**INTERNAL WIDTH OF EXISTING LUFF GROOVE**

Tides prefers to maximize the width of the track shape that enters the luff groove, whether the luff groove has an internal flat shape or internal round shape. If Tides can maximize the amount UHMW material that goes into the luff groove, the better the track will perform when the slides / sail begin to load the track assembly during vessel operation.

Measure the internal width of your luff groove (flat or round) **at the mast gate** using a tape measure / caliper / etc. In most cases, you can get a fairly accurate measurement of this space by simply measuring the width of your mast gate. This should be satisfactory. See photos below.

Record this measurement on the Internal Luff Groove Order Form - Line G.



### EXTERNAL TRACK WIDTH

Simply measure the distance from edge to edge of the existing external track. The most common track widths are 5/8", 7/8" and 1". If your track measures 1", Tides will need to see a sample of the existing track before producing a Tides Track for your boat. Cut a 1 1/2" piece of your track from the bottom of the track on your boat and send it to Tides Marine. Tides will measure the track width - cut a corresponding sample piece of Tides Track - and send it to you to test over the length of track on your boat.

If your track does not match the 5/8" or 7/8" standards, follow the same steps as noted above.

**Record this measurement on the External Track Order Form - Line A.**



### EXTERNAL TRACK LENGTH

Please refer to the OVERALL TRACK LENGTH section on page 11 and measure the length of Tides Track you will want to install on your vessel.

**Record this measurement on the External Track Order Form - Line B.**

### CMPE TRACK LENGTH

A Tides Marine Sailtrack System can be attached to bare composite spars, wood spars and aluminum spars with no luff groove.

Based upon the length of track you order, Tides will provide you with a number of "CMPE Fasteners" (see below) which are used to complete the installation.

Simply snap a chalk line from the masthead to the gooseneck down the center of the back of the mast. Then refer to the OVERALL TRACK LENGTH section on page 11 and measure the length of Tides Track you want to install on your vessel.



**Record this measurement on the CMPE Track Order Form - Line A.**

**Record the number of reef points you have on your sail on the CMPE Track Order Form - Line B.**

# Track and Slide System

## SAIL HARDWARE SELECTION

MAXIMUM SPACING BETWEEN SLIDES IS 24".

### BATTEN RECEPTACLES AND SLIDES

1



#### SH-200A

Small batten receptacle.

Includes SH-400 slide.

Accepts flat battens to 1 5/8" wide.

Accepts round receptacles to 1/2" diameter.

2



#### SH-200B

Large batten receptacle.

Includes SH-400 slide.

Accepts flat battens to 2" wide.

Accepts round battens to 5/8" diameter.

3



#### SH-500

Headboard slide

3" long.

4



#### SH-401

Reef slide

2" long.



## BATTEN RECEPTACLES AND SLIDES

5



### SH-600

Intermediate slide  
1 3/8" long.

6



### SH-400

2" slide with universal joint and 10mm stud.

7



### SH-402

Universal joint with 10mm stud.

8



### SH-403

Slide to accept original Battslide receptacles.

# Track and Slide System

## SAIL HARDWARE SELECTION

### SLIDE SELECTION

#### 1. Stainless Slides OR Naval Brass Slides

You have two slide options. The first is hand-polished cast stainless slides. The second is machined naval brass slides.

**There is a cost difference between the two options.**

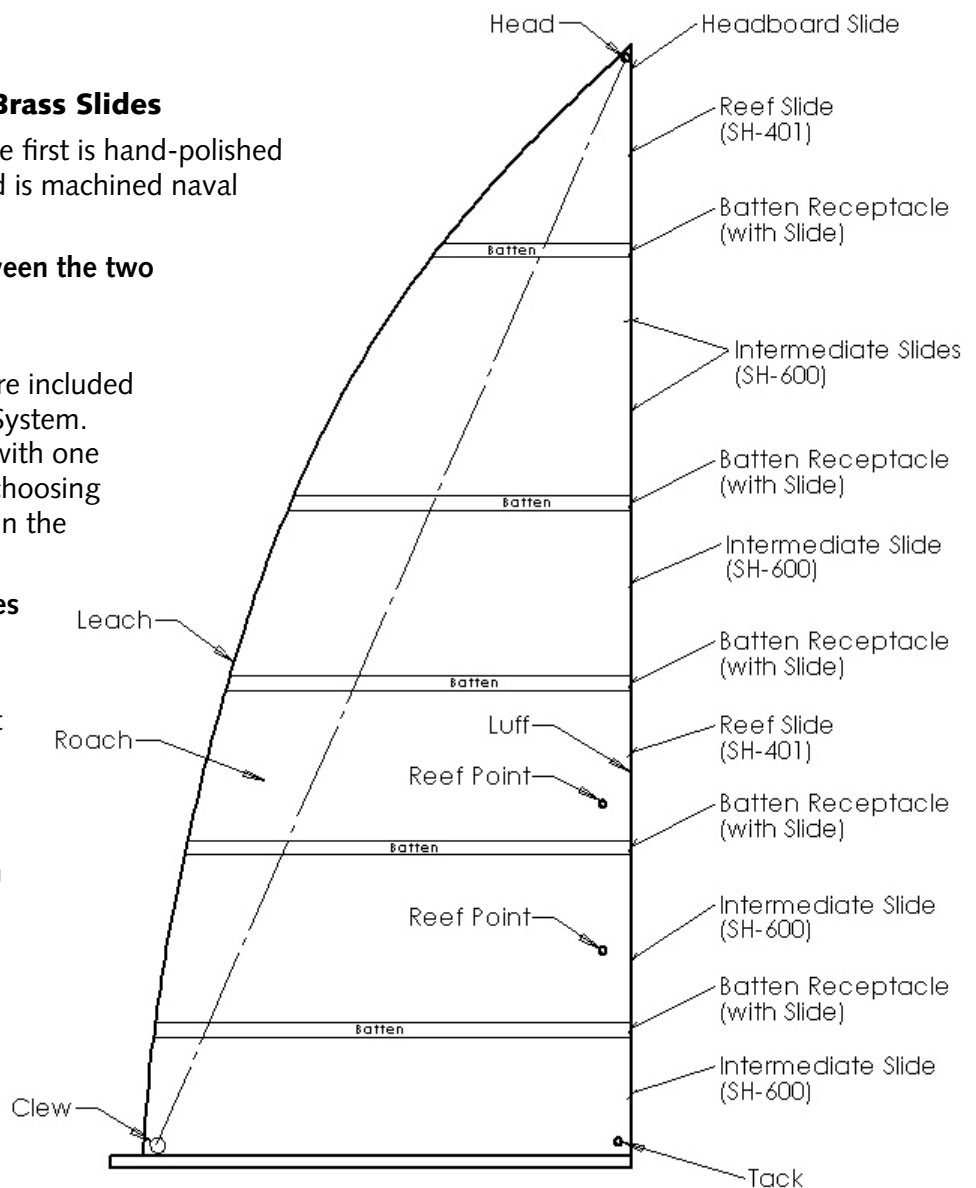
2. Slides and batten receptacles are included in the price of the Tides Track System. Tides provides each customer with one (1) slide or receptacle of their choosing for every two (2) feet of track in the system.

**Example: 40 feet of track comes with 20 assorted slides and receptacles.**

More slides can be ordered but the customer will pay for these extra items.

3. Please review the schematic on this page.

**MAXIMUM SPACING BETWEEN SLIDES IS 24".**



## SLIDE SELECTION

### Which Tides Batten Receptacle?



SH-200A



SH-200B

The SH-200A is the small batten receptacle and comes with an SH-400 slide. It accepts flat battens up to 1 5/8" wide and round battens up to 1/2" in diameter.

The SH-200B is the large batten receptacle and also comes with an SH-400 slide. It accepts flat battens up to 2" wide and round battens to 5/8" in diameter.

Count the number of full-length battens on your sail.

Measure the width of your flat battens or the diameter of your round battens.

Using this information, select an SH-200A or an SH-200B for each batten on your sail. Some batten ends may have to be trimmed before assembly to optimize fit.

### 3A. Headboard Slides

Most conventional headboards have a “length along the luff” of 12” or less. This type of configuration should only require one (1) Tides headboard slide (SH-500) fastened / webbed to the middle of the headboard.



SH-500

Longer headboards may require two (2) Tides headboard slides - one at the top of the headboard and one at the bottom.

Multi-hull sailboats sail much stiffer than monohulls. If you are fitting a Tides Track System to a multi-hull, you may wish to consider one of the SH-900 headboard car assemblies.

The price of these SH-900 units is **in addition to** the standard cost of the Tides Track System.

### 3B. Batten Receptacles

Tides offers two batten receptacles with its track system.

If you wish to use your existing batten receptacles (or those of a competitor), this is possible assuming these receptacles connect to corresponding slides with a 10mm stud.

Simply order an SH-400 (below) for each of the receptacles you wish to use. Turn the 10mm stud into “your” batten receptacles and the Tides System will take care of the rest.



SH-400

### 3C. Reef Points

Count the number of reef points on your sail. A Tides SH-401 slide should be used above each reef point (or cringle). However, if the slide above the reef point is a batten receptacle with a Tides slide, this step is not necessary as the SH-401 is already part of this batten receptacle assembly.



SH-401

### 3D. Remaining Slides

Count the remaining existing slides on your sail. These will be replaced with the Tides SH-600 intermediate slides.



SH-600

### 3E. The Final Slide Count

Summarize all of the slides you have selected and determine if the total falls within the "one slide for every 2 feet of track" guideline.

If so, complete the slide section of the Order Form at this time.

If you will need more slides than those which are offered with the standard Tides Track System, contact your loft or Tides Marine for information on how to order additional slides at the regular Retail Price.

### 3F. Check Your Stack Height

Now is a good time to total the length of each Tides slide you have ordered to determine a final slide stack height. Compare this stack height to that of your current slides. If the Tides stack height is longer than your original stack height, your sail cover may need to be modified.

All batten receptacles will use the SH-401 slide.



SH-500 - 3"



SH-401 - 2"



SH-600 - 1 3/8"

### 3G. Attaching the Tides Slides to Your Sail

If your current slides are webbed to the main (or some sort of shackle is used), simply remove the old slides and replace them with the Tides slides. This is covered in more detail in the Sail Track Installation Instructions.

If your existing slides are sewn to the luff or you have a bolt rope, your sailmaker will have to sew web loops onto your sail to complete this installation.

# Track and Slide System

## SAIL HARDWARE SELECTION

### ALTERNATE HEADBOARD SLIDES

Tides Marine has developed a new line of headboard car assemblies to accommodate the heavier loads being developed on multi-hull vessels with mainsails larger than 500 square feet and monohulls with mainsails larger than 700 square feet. These increased service loads are a result of new sail designs which have much larger roach area and wide head (or fat head) shapes.

If one or more of the standard Tides headboard slides pull out of the Tides track under load, one of these alternate headboard cars could be the solution.

These alternate headboard car assemblies can also be used if the halyard sheave is positioned aft/away from the luff groove or when a masthead crane is used. In these instances, raising the main the last few feet up the mast may result in the slides being pulled away from/out of the Tides Track. Other steps that can be taken to reduce this possibility include:

1. Moving the halyard attachment point on the headboard further aft.
2. For two-part halyards using a crane, lengthening the slide loops on the headboard and the upper 3-4 slides.

The alternate headboard car assemblies described hereafter are sold separately.

1



### SH-900 Headboard Car Assembly

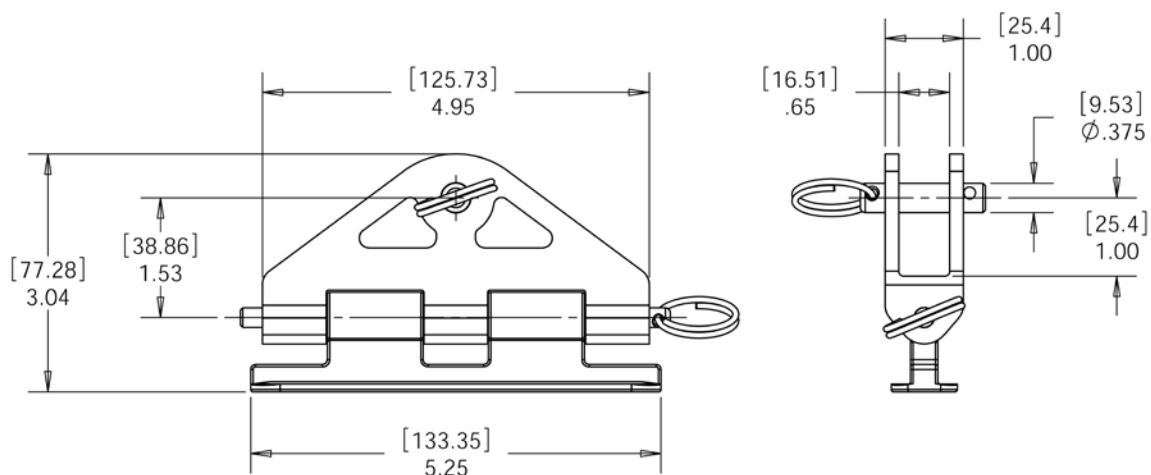
Stainless steel slide measuring 5.25" in length.

Aluminum (AISI 2024) headboard car (hardcoat anodized) measuring 5" in length.

Headboard quick pin is approximately 1 1/2" from the Tides Track.

Width of the headboard slot in the car is approximately .650".

Stack height length is 5.25".



## ALTERNATE HEADBOARD SLIDES

2



### SH-910-SST Headboard Car Assembly

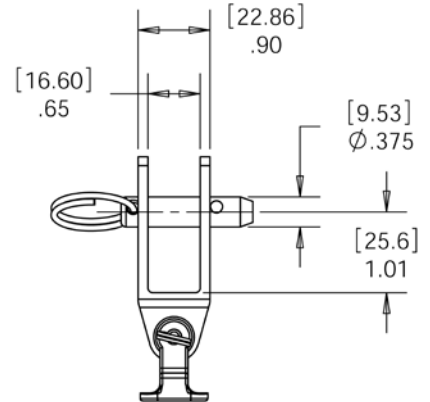
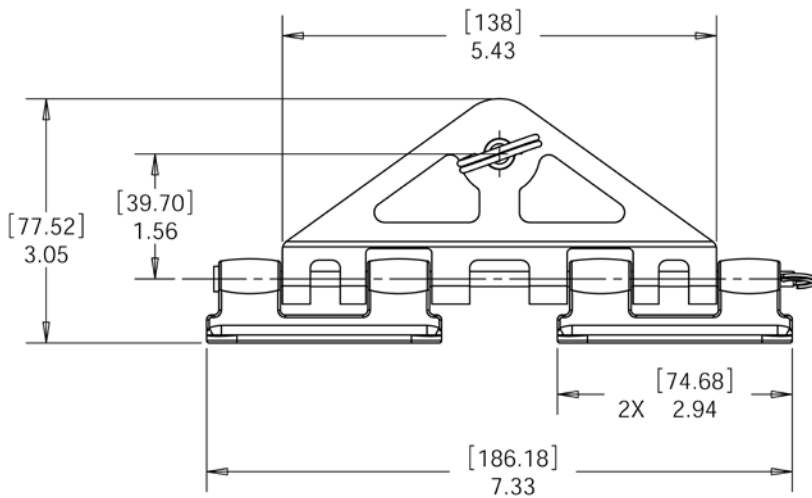
Two stainless steel slides each measuring 3.00" in length spaced approximately 1 ¼" apart.

Stainless steel headboard car.

Headboard quick pin is approximately 1 ½" from the Tides Track.

Width of the headboard slot in the car is approximately .650".

Stack height length is 7.33".



# Track and Slide System

## SAIL HARDWARE SELECTION

3



### SH-920 Headboard Car Assembly

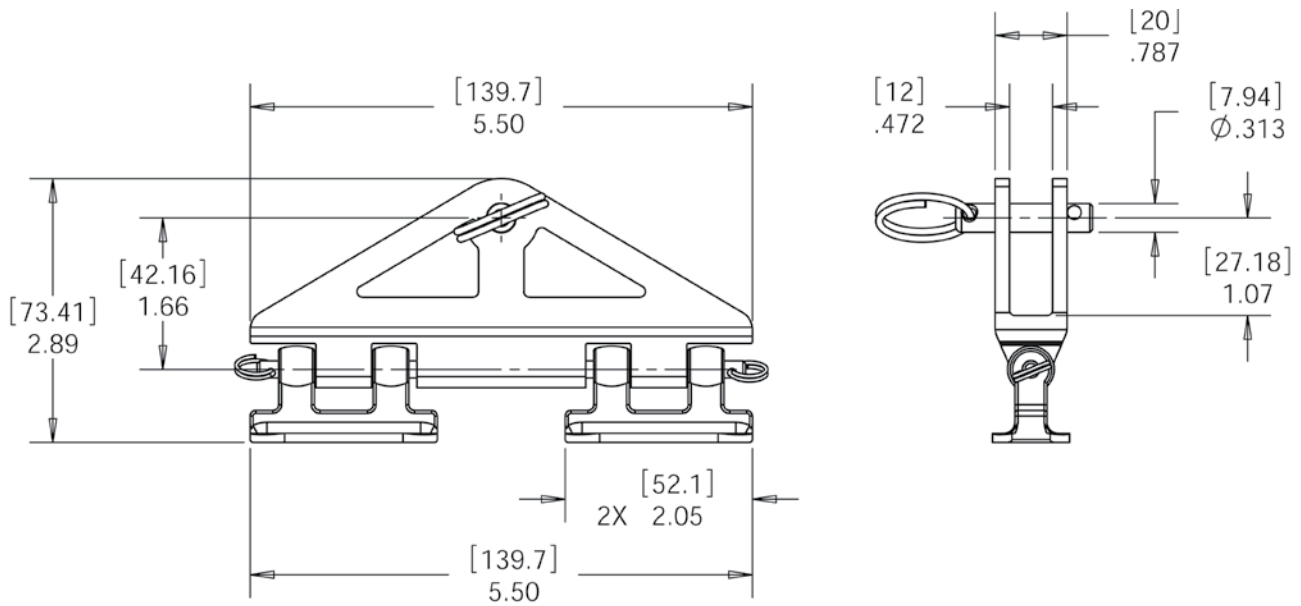
Two stainless steel slides each measuring 2.00" in length spaced approximately 1 ½" apart.

Aluminum (AISI 2024) headboard car (hardcoat anodized).

Headboard quick pin is approximately 1.70" from the Tides Track.

Width of the headboard slot in the car is approximately .470".

Stack height length is 5.50".







### SH-930 Headboard Car Assembly

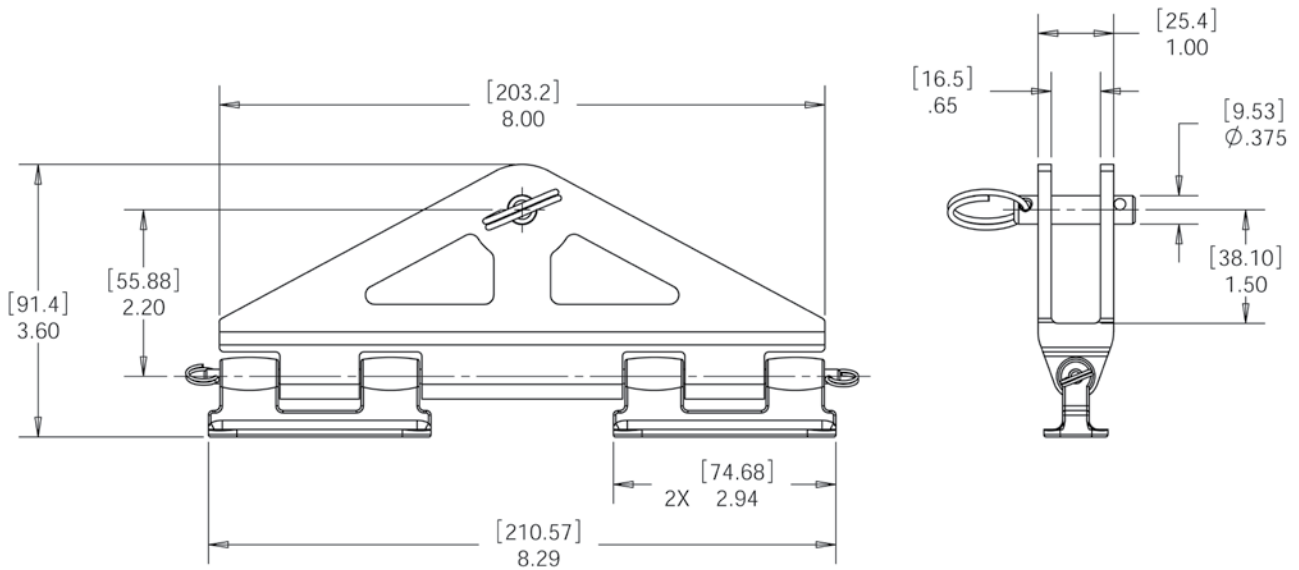
Two stainless steel slides each measuring 3.00" in length spaced approximately 2 ¼" apart.

Aluminum (AISI 2024) headboard car (hardcoat anodized).

Headboard quick pin is approximately 2.20" from the Tides Track.

Width of the headboard slot in the car is approximately .650".

Stack height length is 8.30".

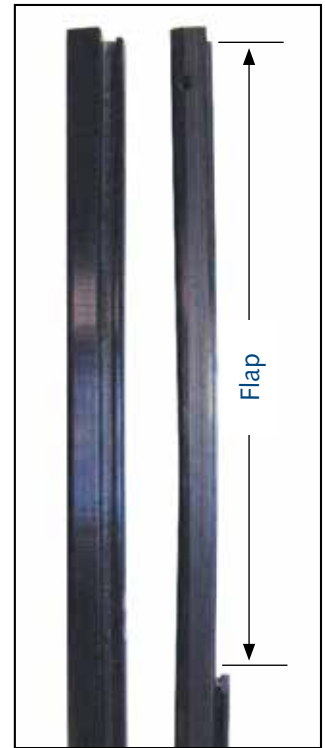


# Track and Slide System

## FREQUENTLY ASKED QUESTIONS

### What is the “track flap” at the bottom of the Tides Track?

When shaping the Tides Track to fit your mast, Tides machines a “shape” on the back of your track which fits within your specific luff groove. To provide you with a track that extends below the mast gate on your existing spar, Tides removes this shape from the back of the portion of Tides Track that runs from your existing mast gate to the point above the gooseneck where the Tides Track ends (see photo of flap at right).



This creates a section on the Tides Track we call the “flap”. This flap contains either one-hole or two-hole backing plates. The final step of each installation calls for the installer to snug these backing plates into place, which locks the flap (or base of the track) in position on the mast.



**One Hole Backing Plate**  
Tides Shapes H through R

**Two Hole Backing Plates**  
Tides Shapes A through G

Making this flap an integral part of the whole Tides Track allows you to stack your sail slides below your current mast gate and above the gooseneck. This minimizes sail slide stack height of the Tides System.

### What if the track is too long?

If the Tides Track is so long that it does not fit in your mast, there is a solution for this problem.

Because the base of the track contains the flap and necessary hardware to connect the track to the mast, you will have to remove the excess track from the top of the track.

Step 1: At the base of the track, measure how much track you need to remove. Record this measurement.

Step 2: Remove the Tides Track from the mast.

Step 3: Mark the top of the track to indicate the amount you want to remove. Remove the quick pin from the top of the track and set it aside.



Step 4: Using a carpenter's square or other straight edge as a guide, cut the top of the track at this mark.



Step 5: In the hardware kit you will find a stainless steel cap approximately 3" long. There are two holes in this cap, one on either side. Press the cap over the top of the track and use it as a guide to drill a hole for the quick pin. Use a 1/4" drill bit and drill a hole athwartships.

You may find it easier to drill halfway through the track from one side and then finish the process from the other.

*(continued)*

# Track and Slide System

## FREQUENTLY ASKED QUESTIONS

Step 6: File / trim the leading edges of the top of the track until they are smooth and clean.



Step 7: Install the quick pin in the hole at the top of the track.



Step 8: Insert the top of the track into the mast gate and push the Tides Track into position.  
You can now follow the installation instructions that came with your order.

## What if the track is too short?

If the Tides Track is too short, Tides Marine can provide a small section of track to correct the situation.

Tides will need to know the length of the extension track required (no more than 18" is advisable).

To determine length required:

- 1) Push the Tides Track up the mast until the top of the track is 2" from the halyard sheave.
- 2) Tape or clamp the Tides Track to the mast.
- 3) Measure from the bottom of the Tides Track to where you want the extension track to stop.  
Is the gate in your mast visible?
- 4) Call Tides with this information.

Step 1: Tides will cut the required section of track, trim the back of the track to fit your mast and attach two stainless steel connectors to the top of the new track piece.



**Note:** These connectors make it possible for you to simply butt the new piece of track to the existing (or primary) piece of track on the mast.

Step 2: Chamfer the mating ends of the track pieces. Slide the extension track into the luff groove and butt it up against the existing Tides Track. Snug the backing plates.

Step 3: Position the connectors over the existing piece of track. Using the connectors as a guide, drill three (3) holes in the base of the existing primary track using a #29 drill bit (.136"). The holes in the connectors are 9/64".

You may find it easier to drill half way through the track from one side and then finish the process from the other.

**Note:** To ensure a tight joint, DO NOT drill over-sized holes in the existing Tides Track. Make sure you have the correct drill bit before proceeding.

Step 4: Insert a bolt (provided) in each of the three holes. Snug a nut over each of the bolts.

Step 5: Position the joined track pieces where you want them on the mast. Tighten all backing plates and connector nuts.

Step 6: Insert your slides through the new mast gate in the base of the extension track.

Step 7: Position the stainless cap over the end of the Tides Track and insert the quick pin.

**Note:** The slides should move smoothly through the stainless connectors and over the joint in the two track pieces. If they don't, contact Tides Marine for further assistance.

# Track and Slide System

## FREQUENTLY ASKED QUESTIONS

### What if the track doesn't fit my luff groove?

Each Tides Track System comes with a sample piece of track approximately 3" – 4" in length. This sample piece is exactly the same shape as the full length piece of track in your order.



Tides "pins" each end of this sample track and puts a small intermediate slide between the pins. In the slide, you will find a large stainless ring.

Before you install the actual Tides Track in your mast, slide this sample piece of track into your mast gate and up the luff groove. Attach your halyard to the stainless steel ring. Also, attach a small retrieval line to this ring.

Using the halyard, raise this sample track to the masthead to make sure the actual Tides Track can be installed over the entire length of the mast.

Using the retrieval line, pull the sample piece of track back to the mast gate.

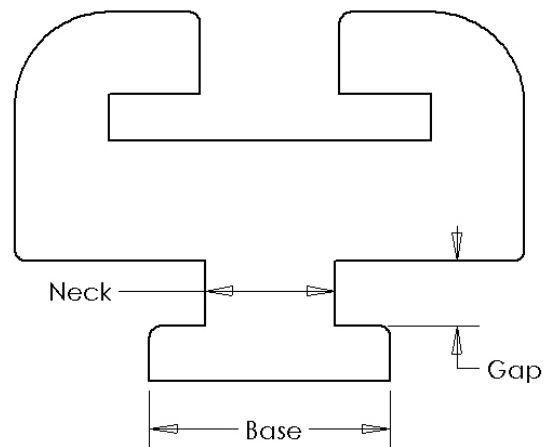
If the sample piece of track does not move all the way to the masthead, neither will your Tides Track.

Position the sample piece of track as well as you can against the top / bottom of the mast gate.

Try to identify:

1. If the track section "neck" is too wide to fit in the luff groove, or,
2. If the track section "gap" is too tight on the edges of the luff groove, or,
3. If the track section "base" is too wide to fit within the luff groove.

Once you've determined which dimension is causing the problem, use the blue measurement disks (provided with your order) to re-measure your luff groove shape. Contact Tides to determine if you can trim your track to fit in your luff groove. If a replacement order is necessary, you will be responsible for a 15% re-stocking charge.



## What are the sail area guidelines?

The Tides Track is available in seamless lengths up to 65'.

Most track systems have track lengths running between 38' and 45' in length.

### Monohulls

The average sail area supported by Tides Track systems is between **450 and 700 square feet**.

The maximum sail area using the Tides Track system is found on a Camper-Nicholson "day boat" in the Seattle area. The total area of the main is almost 1,000 square feet. This boat sails within a defined area from its mooring and rarely sails in winds in excess of 25 – 30 knots. It is never out overnight.

Today's full-battened mains often have more roach than the average sailing vessel of 15 years ago. This type of sail shape puts far more load on the Tides Track and rigging.

If you have any questions regarding your particular application, please contact Tides Marine.

### Multi-hulls

The average sail area supported by Tides Track systems is between **350 and 600 square feet**. Multi-hulls sail much stiffer than monohulls. This, coupled with the large roach area on the sails of today's multi-hulls, places far greater load on the Tides Track system.

Many multi-hulls require the use of an alternate headboard car (see pages 20 through 23). The loads created by large roach areas and full battens can cause conventional Tides Marine headboard slides to pull out of the Tides Track while underway.

### Storm tri-sail track

Tides recommends that its track system not be used to support storm tri-sails. When these sails are deployed, weather conditions are abysmal.





# INTERNAL LUFF GROOVES ORDER FORM

**Items in RED must be completed. Incomplete forms will delay processing.**

Order Date: \_\_\_\_\_ Required By: \_\_\_\_\_  
                   mm    dd    yyyy                                   mm    dd    yyyy

## Internal Luff Groove Information Mast Gate Size and Location

- A \_\_\_\_\_ Slot Width (Letter from blue disk)                                   D\* \_\_\_\_\_ Top of mast gate to the point on the mast where the Tides Track will end
- B \_\_\_\_\_ Lip Thickness (Number from blue disk)                               E \_\_\_\_\_ Track Length - Masthead to point at or near the gooseneck
- C\* \_\_\_\_\_ Length of mast gate

Your mast gate length (C) must be at least 3" long. The top of the mast gate must be at least 10" above the gooseneck (D).

\*If your current mast gate configuration does not meet both of these measurements, you will have to modify your existing mast gate accordingly. **Measurements C and D must reflect the "modified" mast gate measurements (see pages 6 or 10).**

## Internal Width of Existing Luff Groove

Please refer to page 8 of this catalog or the Tides Marine website for measurement guidelines to identify these dimensions.

- F \_\_\_\_\_ Internal Flat Section - Width                                   OR                                   G \_\_\_\_\_ Internal Round Section - Diameter

## Order Tides Slides and Batten Receptacles

Your Tides Track System comes with a **MAXIMUM** of one slide for every two feet of track. If more slides are required, they may be purchased from Tides for an additional cost.

Quantity		Quantity	
_____	SH-200A    Batten Receptacle - Small	_____	SH-400    SH-401 Slide with 10mm Stud
_____	SH-200B    Batten Receptacle - Large	_____	SH-402    Universal with 10mm Stud
_____	SH-500    Headboard Slide	_____	SH-403    Slide for original Battslide
_____	SH-401    Reef Slide	<input type="checkbox"/>	Stainless Steel
_____	SH-600    Intermediate Slide	<input type="checkbox"/>	Naval Brass

over please...

**BILLING INFORMATION**

Customer Name \_\_\_\_\_

Contact Name \_\_\_\_\_

Address \_\_\_\_\_

Address 2 \_\_\_\_\_

City / State / Zip Code \_\_\_\_\_

Phone Number \_\_\_\_\_

E-Mail Address \_\_\_\_\_

**PAYMENT INFORMATION**

Name On Card \_\_\_\_\_

Address \_\_\_\_\_

Address 2 \_\_\_\_\_

City / State / Zip Code \_\_\_\_\_

Credit Card Type

VISA    AMEX    MC    DISCOVER

Credit Card Number \_\_\_\_\_

Expiration Date:    \_\_\_\_\_    \_\_\_\_\_    \_\_\_\_\_  
                                  mm        dd        yyyy

Security Code \_\_\_\_\_

Ship By Date:    \_\_\_\_\_    \_\_\_\_\_    \_\_\_\_\_  
                                  mm        dd        yyyy

Ship Via:

UPS    Overnight    2-Day    3-Day    Ground  
FedEX International    Priority    Economy

Tides Account Name \_\_\_\_\_

Tides Account Ref: \_\_\_\_\_

**\_BOAT INFORMATION**

Manufacturer \_\_\_\_\_

Model \_\_\_\_\_ Year Built \_\_\_\_\_

Hull ID Number \_\_\_\_\_

Mast Manufacturer \_\_\_\_\_

Mast Model \_\_\_\_\_

**SHIPPING INFORMATION**

Same as Billing Information

Customer Name \_\_\_\_\_

Contact Name \_\_\_\_\_

Address \_\_\_\_\_

Address 2 \_\_\_\_\_

City / State / Zip Code \_\_\_\_\_

Phone Number \_\_\_\_\_

E-Mail Address \_\_\_\_\_

**SHIPPING HARDWARE TO ANOTHER LOCATION**

Customer Name \_\_\_\_\_

Contact Name \_\_\_\_\_

Address \_\_\_\_\_

Address 2 \_\_\_\_\_

City / State / Zip Code \_\_\_\_\_

Phone Number \_\_\_\_\_

E-Mail Address \_\_\_\_\_

Comments:

# EXTERNAL TRACK ORDER FORM

Items in RED must be completed. Incomplete forms will delay processing.

Order Date: \_\_\_\_\_ Required By: \_\_\_\_\_  
mm dd yyyy mm dd yyyy

## External Track Information

A \_\_\_\_\_ Width of existing external track (please circle one)

5/8" 7/8 1" Other: \_\_\_\_\_

If your track width measures 1", you will need to cut 2"-3" from your existing external track and send it to Tides Marine. Tides will measure the track width - cut a sample piece of Tides Track - and send it to you to test over the length of metal track on your vessel.

If your track width does not match the 5/8" or 7/8" options, please follow the same instructions as noted above.

B \_\_\_\_\_ Length of your existing external track

## Order Tides Slides and Batten Receptacles

Your Tides Track System comes with a **MAXIMUM** of one slide for every two feet of track. If more slides are required, they may be purchased from Tides for an additional cost.

Quantity		Quantity	
_____	SH-200A Batten Receptacle - Small	_____	SH-400 SH-401 Slide with 10mm Stud
_____	SH-200B Batten Receptacle - Large	_____	SH-402 Universal with 10mm Stud
_____	SH-500 Headboard Slide	_____	SH-403 Slide for original Battslide
_____	SH-401 Reef Slide	<input type="checkbox"/>	Stainless Steel
_____	SH-600 Intermediate Slide	<input type="checkbox"/>	Naval Brass

over please...

**BILLING INFORMATION**

Customer Name \_\_\_\_\_

Contact Name \_\_\_\_\_

Address \_\_\_\_\_

Address 2 \_\_\_\_\_

City / State / Zip Code \_\_\_\_\_

Phone Number \_\_\_\_\_

E-Mail Address \_\_\_\_\_

**PAYMENT INFORMATION**

Name On Card \_\_\_\_\_

Address \_\_\_\_\_

Address 2 \_\_\_\_\_

City / State / Zip Code \_\_\_\_\_

Credit Card Type

VISA    AMEX    MC    DISCOVER

Credit Card Number \_\_\_\_\_

Expiration Date:    \_\_\_\_\_  
                          mm        dd        yyyy

Security Code \_\_\_\_\_

Ship By Date:    \_\_\_\_\_  
                          mm        dd        yyyy

Ship Via:

UPS    Overnight    2-Day    3-Day    Ground  
FedEX International    Priority    Economy

Tides Account Name \_\_\_\_\_

Tides Account # \_\_\_\_\_

**BOAT INFORMATION**

Manufacturer \_\_\_\_\_

Model \_\_\_\_\_ Year Built \_\_\_\_\_

Hull ID Number \_\_\_\_\_

Mast Manufacturer \_\_\_\_\_

Mast Model \_\_\_\_\_

**SHIPPING INFORMATION**

Same as Billing Information

Customer Name \_\_\_\_\_

Contact Name \_\_\_\_\_

Address \_\_\_\_\_

Address 2 \_\_\_\_\_

City / State / Zip Code \_\_\_\_\_

Phone Number \_\_\_\_\_

E-Mail Address \_\_\_\_\_

**SHIPPING HARDWARE TO ANOTHER LOCATION**

Customer Name \_\_\_\_\_

Contact Name \_\_\_\_\_

Address \_\_\_\_\_

Address 2 \_\_\_\_\_

City / State / Zip Code \_\_\_\_\_

Phone Number \_\_\_\_\_

E-Mail Address \_\_\_\_\_

Comments:

# CMPE Track ORDER FORM

Items in RED must be completed. Incomplete forms will delay processing.

Order Date: \_\_\_\_\_ Required By: \_\_\_\_\_  
mm dd yyyy mm dd yyyy

## CMPE Track Information

A \_\_\_\_\_ Length of Tides Track required

B \_\_\_\_\_ How many reef points are on your existing sail

## Order Tides Slides and Batten Receptacles

Your Tides Track System comes with a **MAXIMUM** of one slide for every two feet of track. If more slides are required, they may be purchased from Tides for an additional cost.

Quantity		Quantity	
_____	SH-200A Batten Receptacle - Small	_____	SH-400 SH-401 Slide with 10mm Stud
_____	SH-200B Batten Receptacle - Large	_____	SH-402 Universal with 10mm Stud
_____	SH-500 Headboard Slide	_____	SH-403 Slide for original Battslide
_____	SH-401 Reef Slide	<input type="checkbox"/>	Stainless Steel
_____	SH-600 Intermediate Slide	<input type="checkbox"/>	Naval Brass

over please...

**BILLING INFORMATION**

Customer Name \_\_\_\_\_

Contact Name \_\_\_\_\_

Address \_\_\_\_\_

Address 2 \_\_\_\_\_

City / State / Zip Code \_\_\_\_\_

Phone Number \_\_\_\_\_

E-Mail Address \_\_\_\_\_

**PAYMENT INFORMATION**

Name On Card \_\_\_\_\_

Address \_\_\_\_\_

Address 2 \_\_\_\_\_

City / State / Zip Code \_\_\_\_\_

Credit Card Type

VISA    AMEX    MC    DISCOVER

Credit Card Number \_\_\_\_\_

Expiration Date:        /      /       
                                  mm      dd      yyyy

Security Code \_\_\_\_\_

Ship By Date:        /      /       
                                  mm      dd      yyyy

Ship Via:

UPS    Overnight    2-Day    3-Day    Ground  
FedEX International    Priority    Economy

Tides Account Name \_\_\_\_\_

Tides Account # \_\_\_\_\_

**BOAT INFORMATION**

Manufacturer \_\_\_\_\_

Model \_\_\_\_\_ Year Built \_\_\_\_\_

Hull ID Number \_\_\_\_\_

Mast Manufacturer \_\_\_\_\_

Mast Model \_\_\_\_\_

**SHIPPING INFORMATION**

Same as Billing Information

Customer Name \_\_\_\_\_

Contact Name \_\_\_\_\_

Address \_\_\_\_\_

Address 2 \_\_\_\_\_

City / State / Zip Code \_\_\_\_\_

Phone Number \_\_\_\_\_

E-Mail Address \_\_\_\_\_

**SHIPPING HARDWARE TO ANOTHER LOCATION**

Customer Name \_\_\_\_\_

Contact Name \_\_\_\_\_

Address \_\_\_\_\_

Address 2 \_\_\_\_\_

City / State / Zip Code \_\_\_\_\_

Phone Number \_\_\_\_\_

E-Mail Address \_\_\_\_\_

Comments:



# TIDESMARINE

Unit 5 Birch Copse, Technology Road  
Poole Dorset BH17 7FH

Phone: +44(1202) 697726  
Email: [info@tidesmarine.co.uk](mailto:info@tidesmarine.co.uk)  
Web: [www.tidesmarine.co.uk](http://www.tidesmarine.co.uk)