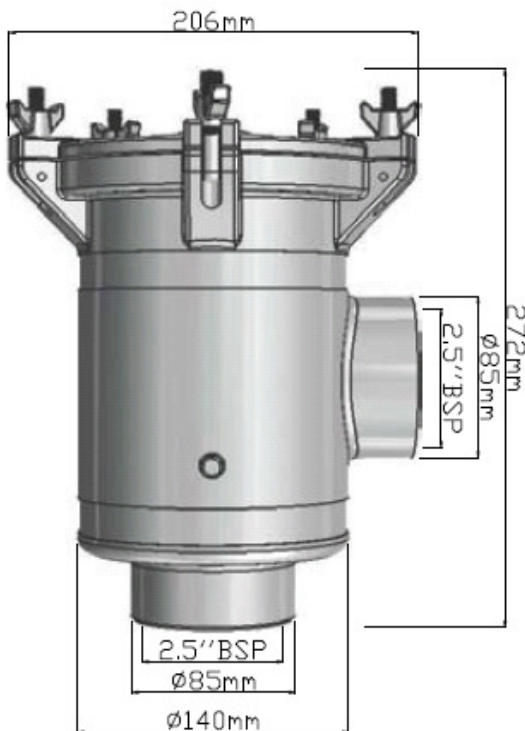




**ARCTIC STEEL**



### 2.5" Series S (Solid Lid) or C (Clear Lid)

- Electro-polished AISI 316 Cast Stainless Steel
- BSP thread (NPT thread on request)
- Vertical female inlet, side female outlet
- Secured by 5 S/S wing nuts for easy access
- Swing down S/S eye bolts eliminate need to remove nuts
- Solid electro-polished 316 stainless steel lid
- Rugged ABS basket. High impact resistance.
- Optional stainless basket available for finer screening.
- Durable silicone gasket
- Cast anode connection point
- Clear 8mm poly carbonate lid option available
- Side mounting bracket available (316 S/S)
- Adjustable bracket extension arm also available (316 S/S)
- Reducing bush or nipple available to convert to male thread or 2".

Sizes	Weight Kg	Flow Rate 0.1 Bar L/Min	Flow Rate 1 Bar L/Min
WS-2.5 S	6.2	639	2010
WS-2.5 C	5.75	639	2010