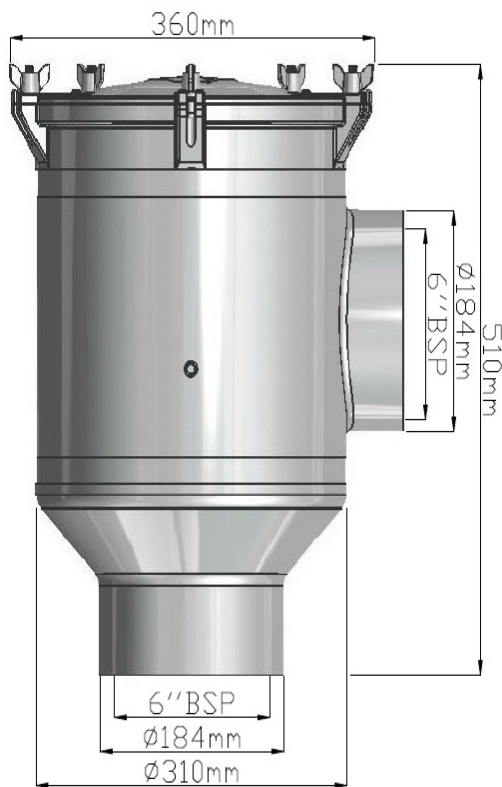




ARCTIC STEEL



6.0" S (Solid Lid) only

- Electro-polished AISI 316 Cast Stainless Steel
- BSP thread (NPT thread on request)
- Vertical female inlet, side female outlet
- Secured by 5 S/S wing nuts for easy access
- Swing down S/S eye bolts eliminate need to remove nuts
- Solid electro-polished 316 stainless steel lid
- Rugged ABS basket. High impact resistance.
- Optional stainless basket available for finer screening.
- Durable silicone gasket
- Cast anode connection point for electrolysis resistance
- Can be converted to male thread or smaller size of 5"

Sizes	Weight kg	Flow Rate 0.1 Bar L/Min	Flow Rate 1 Bar L/Min
WS-5.0*	29.5	2295	7413
WS-6.0 S	29.5	3416	10739

*WS-5.0 is a WS 6" body with a reducing bush or nipple.