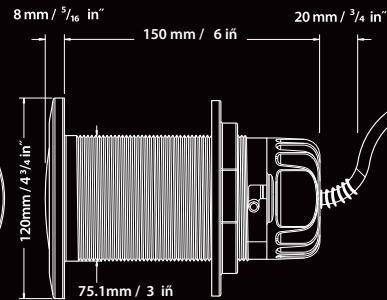
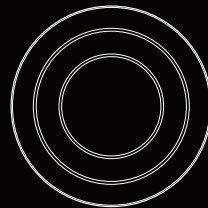


GEN III 6 Series

Bigger, better, brighter: as part of the iconic thru-hull range, the 6 Series is a serious light designed to illuminate larger boats.

The 6 Series is a larger thru-hull option. Don't be fooled by the compact size of the 6 series – this powerful light is capable of packing a serious punch. Like the famous 3 Series, the 6 Series has a corrosion-proof, injection-molded, patented polymer housing and is internally driven and maintainable. Available in Ultra Blue, Ultra Green and Brilliant White, this product is recommended for boats from 12 metres (40 feet) to 30 metres (100 feet). As part of the thru-hull range, the 6 Series features Aqualuma's 3 year warranty and is fully serviceable and upgradeable without the need for haul out.



Technical Specifications

- Gen III LED technology
- 3 year warranty
- Patented, High-Tech chemically resistant polymer housing
- Internally serviceable and upgradeable
- t12 or 24 volt dc
- Current draw of less than 2.0 amps @ 12 volt or 1.0 amp @ 24 volt
- No bonding to anodes required
- Meets world EMI standard
- 4x standard optics
- 2 wide angle elliptical optics
- Throws both a deep penetrating and wide flat beam of light from the one unit
- No lens seals to deteriorate or leak
- Internally driven via 2x reverse polarity and over temp protected replaceable plug-in modules
- 3.7 metre (12 feet) of tinned marine cable
- Easy low cost 2-wire installation
- 75mm/3" thru-hull fitting
- External ignition protection

Brilliant White

- Color temperature 9000 to 10000 degrees Kelvin (the colder the white the further it travels in water)
- Lux output 28500

Ultra Blue

- Color temperature 470nm (the color that travels further in salt water than any other)
- Lux output 37000

Ultra Green

- Color temperature 510nm (excellent color in fresh water)
- Lux output 26875

